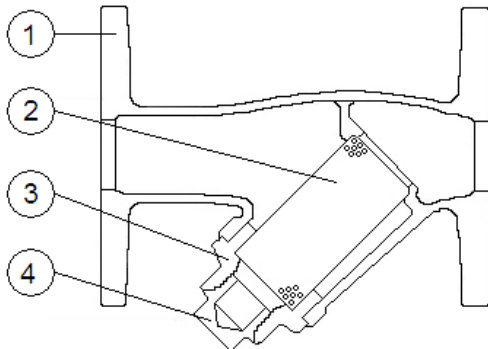


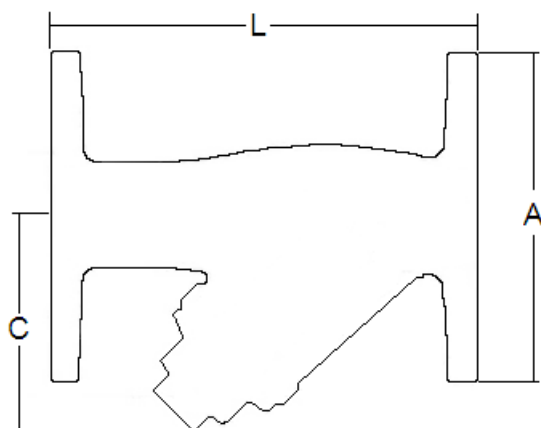


FIG. VR85-FL

- Corpo e tampa roscada em bronze ASTM B.62
- Extremidade com flanges conforme ANSI B16.5 face plana com ranhuras.
- Elemento filtrante em chapa de aço inox perfurada AISI 304.
- Pressão de serviço 150 LBS/pol²
- Teste hidrostático:
- Corpo: 350 LBS/pol²



EXECUÇÃO NORMAL		
N.º	PARTE	MATERIAL
1	Corpo	Bronze ASTM B.62
2	Filtro	Aço inox AISI 304
3	Tampa	Bronze ASTM B.62
4	Tampão (A)	Bronze ASTM B.62



DIMENSÕES				
DN	A	C	L	Peso
1/2"	90,0	55,0	130,0	1,5
3/4"	98,4	60,0	159,0	3,5
1"	108,0	60,0	159,0	5,0
1.1/4"	117,5	128,8	200,0	9,0
1.1/2"	127,0	128,8	200,0	11,6
2"	152,4	140,0	203,0	11,0
2.1/2"	177,8	149,0	216,0	15,0
3"	190,5	161,0	241,0	24,0
4"	228,6	186,0	292,0	40,0
5"	254,0	200,0	330,0	55,0
6"	279,4	240,0	356,0	62,0
8"	342,9	286,0	495,0	114,0